

DCPM SPECIFICATION

DCPM = DMT Camera and Power Module

Manufacturer = DMT, LLC (Detection Monitoring Technologies)

Warranty = 1 year Limited Warranty



Figure 1. This is the DCPM.

Description

The DCPM is combination power supply and network communication device for DMT radars and cameras. The device requires AC power (110/220 VAC 50/60 Hz) and outputs 24 VDC to cameras and the DMT radars. One radar and up to 4 cameras can be powered by this device.

| Features | Standard | Low Cost | 4 Camera | SMF Version | Flexible |
|-------------------------------|----------|----------|-----------------------------------|--|--|
| Radar Power Port | √ | √ | √ | √ | √ |
| Radar RJ/45 Port | √ | √ | √ | √ | √ |
| 1 Camera Port (Power + Comms) | √ | √ | | √ | √ |
| 4 Camera Ports (Power+Comms) | | | √ | | |
| Network Port #1 | RJ/45 | √ | Select one: RJ/45, MMF, SMF | RJ/45 | RJ/45 |
| Network Port #2 | MMF, SC | | | Terminates to SC connector thru conduit port | Terminates to SC connector thru conduit port |
| Power Port * | Conduit | Conduit | Conduit | Conduit | Conduit |
| Conduit Port** | | | √ | √ | √ |
| Accessory Port (for AIS, BFT) | √ | | | √ | √ |
| 4-port Video Encoder | √ | √ | √ | √ | √ |
| LED Power Switches | 4 | 3 | 3 | 4 | 4 |
| 500 W AC/DC Power Supply | √ | √ | √ | √ | √ |
| Remote Radar & Power On/OFF | √ | √ | √ | √ | √ |
| Optional POE | | | 1 port High POE | | |

* 3-prong AC plug also available at no additional charge. **Used for SM Fiber or other devices.

The DCPM is an outdoor enclosure and can be mounted to poles, Rohn 45 G towers, or walls (see Figure 2). It is designed for -40 to +65 degrees C operating temperatures. It is made for all-weather operation and requires no maintenance for years.

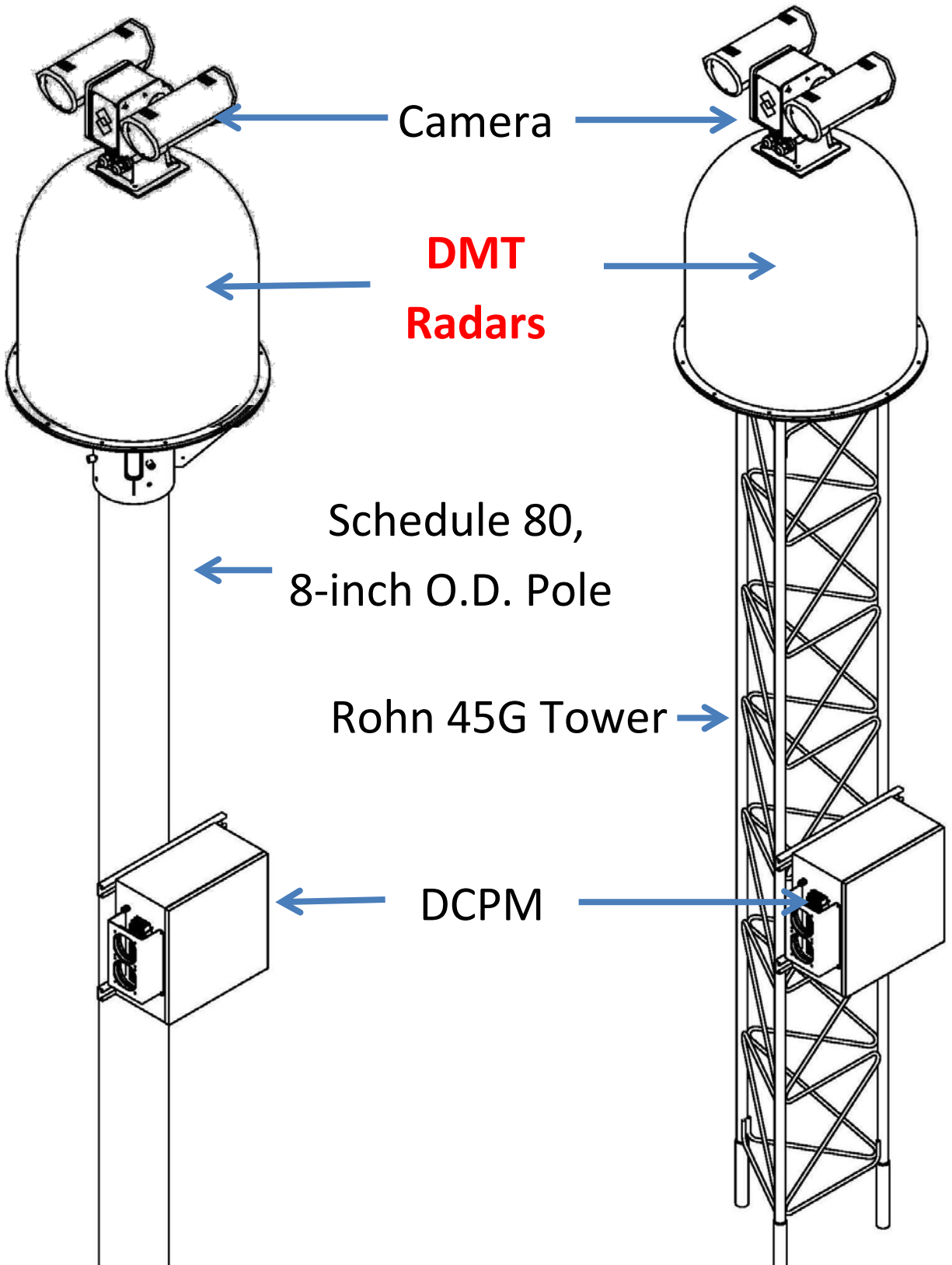


Figure 2. This shows the DCPM mounted on poles and on a section of a Rohn 45G tower.

| | |
|---|--|
| Compliance | <p>Radars</p> <ul style="list-style-type: none"> • IDAR • MDR • Black Marlin • XRDS • Dorado <p>Cameras</p> <ul style="list-style-type: none"> • FLIR PT-Series (all models) • FLIR Ranger Series (requires an optional charge for camera connector) • EMX MidWatch Series • Many Axis and Pelco products • Vumii Accuracii and Claritii • And many more cameras types. Cameras are added monthly. Contact DMT to see if your camera is on this list. |
| Size | 16 x 16 x 9 inches (excluding fan brackets) |
| Enclosure | Painted Stainless Steel. Weatherproof. Designed for maritime and desert environments. |
| Weight | 55 lbs (Maximum weight – may be lower with different options) |
| Network Switch | <p>10/100 MBPS</p> <p>4-port RJ-45 (one to be used for video server, one for radar, two for RJ/45 bulkhead connectors)</p> <p>1-port multimode fiber or single-mode fiber</p> |
| Video Server | <p>Axis Q7424-R Video Server</p> <p>4-port input BNC</p> <p>Video Compression: H.264, or MPEG, or both (over two video streams)</p> <p>NTSC or PAL (set manually)</p> <p>Input Format: Analog Video or RJ/45 Digital video</p> <p>Max Frame Rate: 30 fps (NTSC), or 25 fps (PAL)</p> <p>Maximum video resolution (pixels): 720 x 480 NTSC, 720 x 576 PAL</p> <p>PTZ Ports: one RS-232/422/485 port</p> <p>Latency: < 200 msec.</p> |
| Circuit Breakers | For all internal voltages |
| Remote Power On/Off | For radar and cameras. Controlled remotely using DMT software or Axis web interface |
| Maximum Input Power | 650 Watts AC. (Note: Maximum DC power consumption is 500 watts.) Autosensing to accept 90-140 VAC, and 220-270 VAC, 47 to 90 Hz |
| Maximum Output Power for Cameras | <p>330 watts. Camera port has 24VDC.</p> <p>For 4 Camera model, heaters must be disabled if using FLIR PT-Series cameras. DMT can replace the DMT camera port with RJ/45 POE and POE+ connectors. This is an added charge. No more than 3 ports can be POE powered.</p> |
| Maximum Output Power for Radar | 150 watts |
| Operating Temperature | -40 to +65 degrees C |
| Mounting (select one) | <ul style="list-style-type: none"> • Rohn 45G tower mounts • Schedule 80, 8-inch pole mount • Custom mounts are available, but delivery times vary |
| Switches | LED-illuminated push-button switches for radar, camera and enclosure. |
| Connectors: | <p>All connectors are weather-tight. Available across models:</p> <ul style="list-style-type: none"> • Twist-on 3-wire power connector or conduit port for power • RJ/45 Connectors • MMF SC Connector • Conduit opening for single-mode fiber • Twist-on radar power connector • Twist-on many-pin camera connector (1 or 4) • Twist-on many-pin accessory connector |
| MTBF: | >5 years. |
| Required Maintenance: | None |

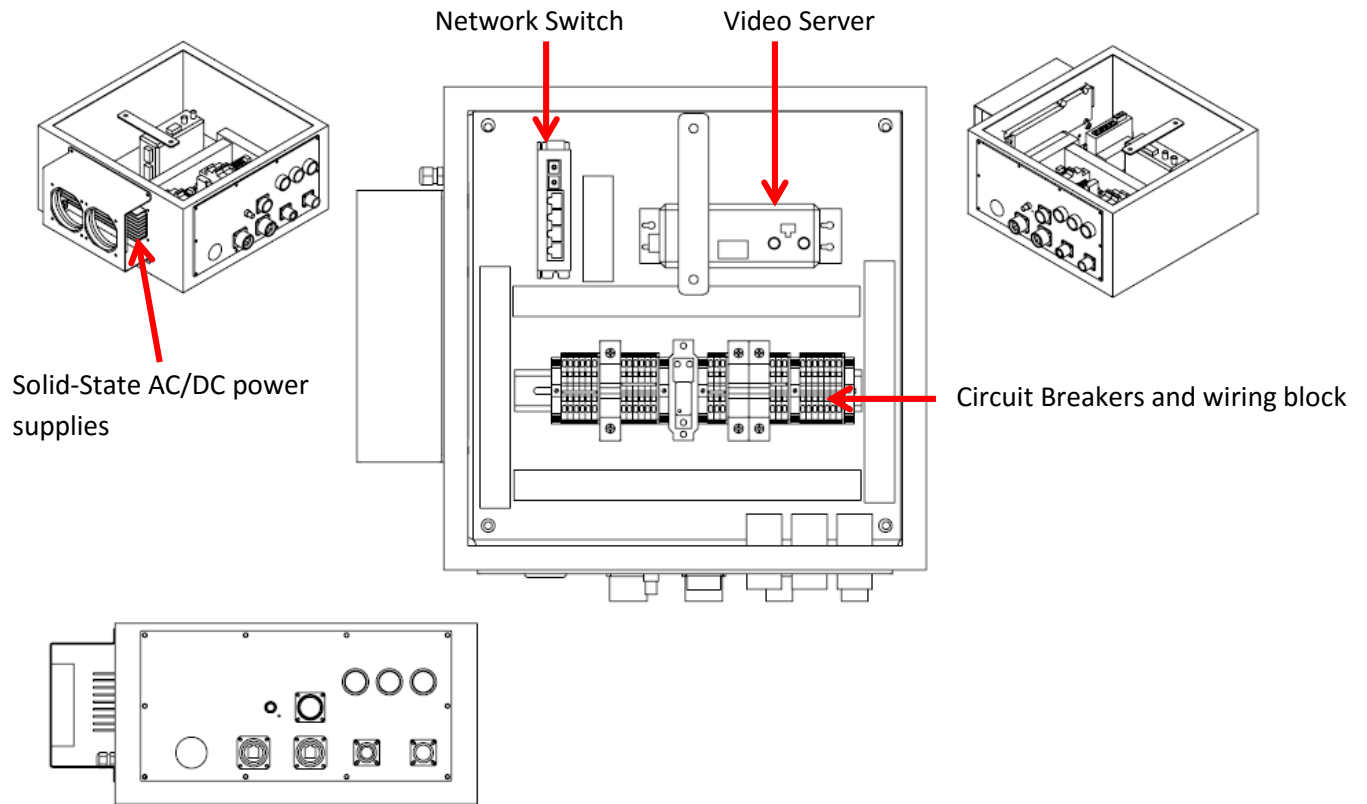


Figure 3. This is the DCPM. All internal hardware may be replaced in the field. MTBF is > 5 years.



Figure 4. This is the DCPM with 1-port video server. Standard system is an Axis Q7424-R 4-port video server. Right picture shows hardware inside the enclosure. Circuit breakers inside the box protect inside and attached hardware.